



**REFERENCE :** KP121

**SIZES :** U

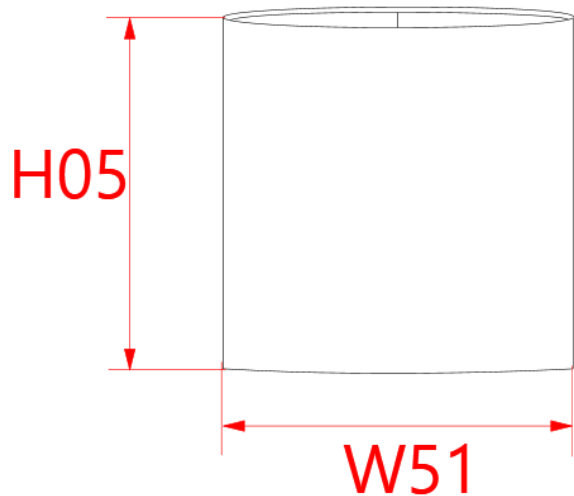
**COMPOSITION :**

Fabric 2 : Polyester jersey - 140 For outer neckwarmer 100% polyester

Main fabric : Polyester polarfleece - 200 For inner neckwarmer 100%polyester

**ARTICLE WEIGHT :**

46 gr/pc



DESCRIPTION	
<b>Français :</b>	Tour de cou doublé polaire
<b>English :</b>	Fleece-lined neckwarmer
<b>Nederlands :</b>	Fleece gevoerde nekwarmer
<b>Deutsch :</b>	Schlauchschal mit Fleecefutter
<b>Español :</b>	Braga de cuello con forro polar
<b>Italiano :</b>	Scaldacollo foderato in pile
<b>Português :</b>	Banda polar dupla

COLORS	PANTONE SERIGRAPHIE
Black / Black	Black / Black
Navy / Slate Grey	433C / 424C
Red / Light grey	200C / 402C
Lagoon / Light grey	2915C / 402C

MEASUREMENT	
Description	U
<b>H05</b> Hauteur totale / Total height	25
<b>W51</b> Total width	25

CARE LABEL				

PACKING	
Box	100 pcs / box U => L:50cm W:30cm H:27cm GW:5.3kg NW:5.6kg