

REFERENCE : KI0501

SIZES : U

COMPOSITION :

Main fabric : Polyester 600D PU backing For body bag + puller.
100%polyester

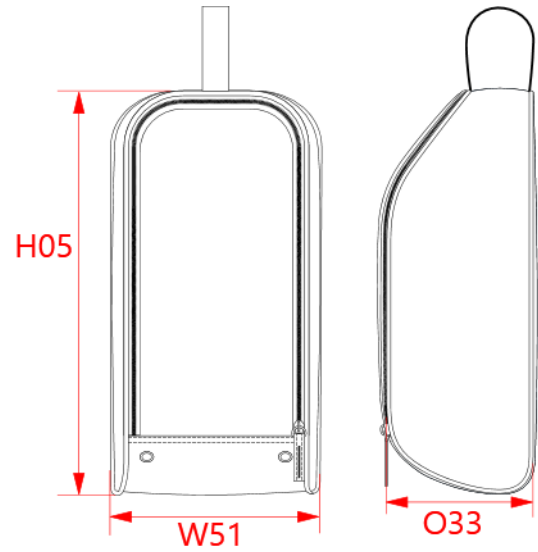
Main fabric : Polyester 600D PU backing As contrast color
fabric, for recovered piping decoration. 100%polyester

TECHNICAL DETAIL :

PU backing

ARTICLE WEIGHT :

80 gr/pc



DESCRIPTION	
Français :	Sac range chaussures
English :	Shoe bag
Nederlands :	Shoe bag
Deutsch :	Schuhtasche
Español :	Porta zapatos
Italiano :	Porta scarpe
Português :	Saco para calçado

COLORS	PANTONE SERIGRAPHIE
Red / Light grey	1795C / 2331C
Royal blue / Light grey	287C / 2331C
Black / Light grey	Black / 2331C
Capuccino / Orange	438C / 1495C
Light Grey / Purple	2331C / 520C
Navy / Slate Grey	433C / 424C

MEASUREMENT							
Description	U						
H05 Hauteur totale / Total height	38						
W51 Total width	20						
O33 Deep of bottom part	14						

PACKING	
Box	80 pcs / box U => L:43cm W:44cm H:52cm GW:7,6kg NW:6,6kg