

REFERENCE : KI0603

SIZES : U

COMPOSITION :

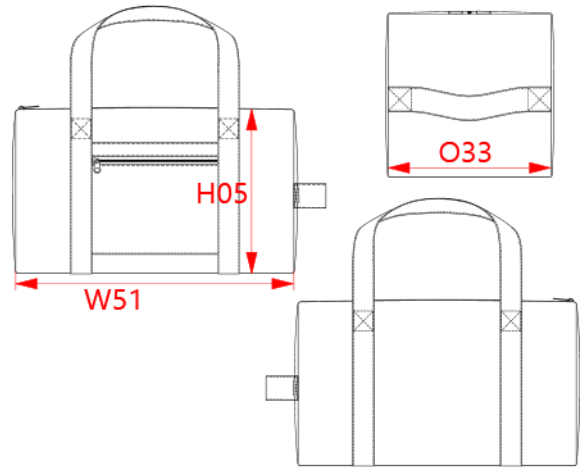
Main fabric : Cotton canvas 340 100%cotton
Fabric 2 : Faux leather nappa PVC As contrast fabric, For handles and decoration on main opening. 100%PVC

TECHNICAL DETAIL :

Washed canvas for vintage look

ARTICLE WEIGHT :

670 gr/pc



DESCRIPTION	
Français : Sac de voyage	
English : Travel bag in vintage canvas	
Nederlands : Travel bag in vintage canvas	
Deutsch : Reisetasche aus baumwoll-canvas	
Español : Bolsa de viaje	
Italiano : Borsa da viaggio in stile vintage	
Português : Saco de viagem	

COLORS	PANTONE SERIGRAPHIE
Vintage khaki	2327C
Black	Black

MEASUREMENT							
Description	U						
H05 Hauteur totale / Total height	30						
W51 Total width	50						
O33 Deep of bottom part	30						

PACKING	
Box	20 pcs / box U => L:58cm W:33cm H:32cm GW:14,3kg NW:13,3kg