

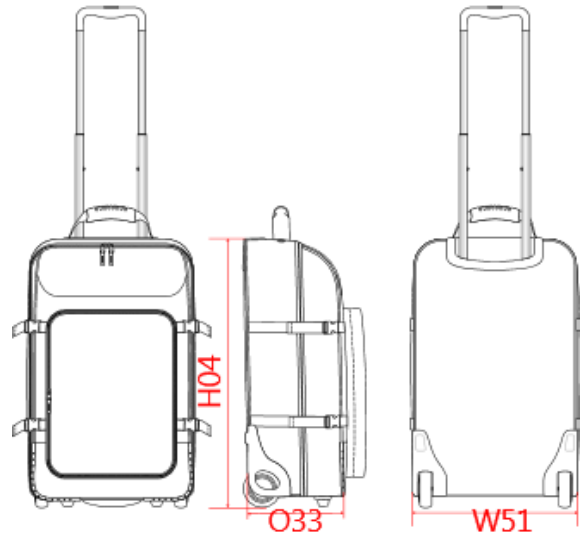


REFERENCE : KI0809

SIZES : U

COMPOSITION :

Main fabric : Polyester Twisted 600D HD PU backing 100% polyester
 Main fabric : Polyester oxford 600D PVC backing For recovered piping. All around front + back panels. 100%polyester
 Mesh 1 : Polyester mesh 150 For inner pocket. 100% polyester
 Lining : Polyester 210D PU backing - 75 On inside. 100% polyester
 Material 2 : PVC quality On corner protectors, on bottom part of front panel. 100%Polyvinyl chloride
 Material 6 : Rubber quality For top handle. 100%rubber
 Material 3 : Aluminium quality For trolley system. 100% aluminium
 Material 4 : PP plastic quality For plastic foot + honeycomb to fix it to the trolley end. 100%polypropylene
 Material 5 : ABS plastic quality For honeycomb, on half frame of the case. 100%acrylonitrile butadiene styrene



TECHNICAL DETAIL :

PU backing

ARTICLE WEIGHT :

2200 gr/pc

| DESCRIPTION | | | | | | | | COLORS | | PANTONE SERIGRAPHIE | |
|------------------------------------------------------------------------------------------------------------------------------------------------------------------------------------------------------------------------------------------------------------------------------------------------------------------------------------------------------------------------|--|------------------------------------------------------------|--|--|--|--|--|---------------|--|---------------------|--|
| Français : Trolley cabine KIMOOD JAP English : KIMOOD JAP Cabine size trolley Nederlands : KIMOOD JAP Cabine size trolley Deutsch : Flugzeugkabinentauglicher trolley aus der JAP-Kollektion Español : Maleta KIMOOD JAP Italiano : KIMOOD JAP trolley da cabina Português : Trolley tamanho cabine | | | | | | | | Dark grey | | 447C | |
| | | | | | | | | Dark titanium | | Black 3C | |
| | | | | | | | | | | | |
| MEASUREMENT | | | | | | | | | | | |
| Description | | U | | | | | | | | | |
| H04 Hauteur coté / Side length | | 55 | | | | | | | | | |
| W51 Total width | | 34 | | | | | | | | | |
| O33 Deep of bottom part | | 20 | | | | | | | | | |
| PACKING | | | | | | | | | | | |
| Box | | 2 pcs / box U => L:36cm W:32cm H:58cm GW:5,4Kg NW:4,4Kg | | | | | | | | | |