

REFERENCE : KI0221

SIZES : U

COMPOSITION :

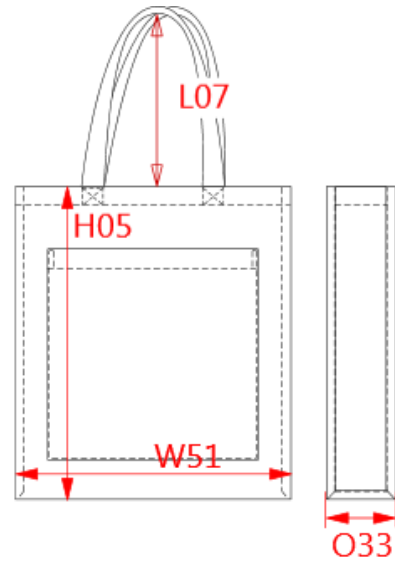
Main fabric : Jute laminated PU backing 100% Jute
Fabric 1 : Cotton woven 130 For pocket on front panel. 100% cotton

TECHNICAL DETAIL :

Transparent laminated backing

ARTICLE WEIGHT :

190 gr/pc



| DESCRIPTION | COLORS | PANTONE SERIGRAPHIE |
|--|-------------------|---------------------|
| Français : Sac shopping toile de jute | Lime Green | 583C |
| English : Jute shopper | Natural | 7534C |
| Nederlands : Jute shopper | Saffron | 172C |
| Deutsch : Jute shopper | Turquoise | 320C |
| Español : Bolsa shopper de Yute | Natural / Gold | 7534C / - |
| Italiano : Shopper in luta | Black / Silver | Black / 877C |
| Português : Saco | Cherry red / Gold | 7427C / - |

| MEASUREMENT | | | | | | | |
|--|----|--|--|--|--|--|--|
| Description | U | | | | | | |
| H05 Hauteur totale / Total height | 40 | | | | | | |
| W51 Total width | 35 | | | | | | |
| O33 Deep of bottom part | 9 | | | | | | |
| L07 Height of shoulder belt | 23 | | | | | | |

| PACKING | |
|---------|--|
| Box | 50 pcs / box U => L:43cm W:38cm H:46cm GW:10,5kg NW:9,5kg |