



REFERENCE : KP514

SIZES : U

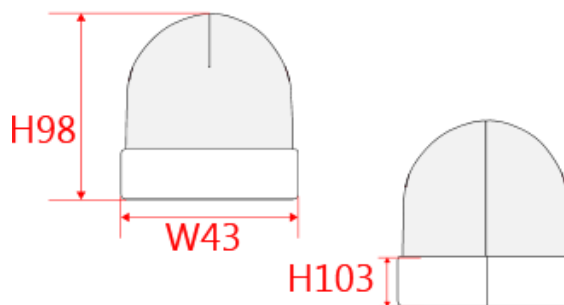
COMPOSITION :

Main fabric : 12GG Acrylic Knit Main part (outside color of the hat, on top) 100% Acrylic

Main fabric : 12GG Acrylic Knit Inside color of the ha. We can see outside on turn up. 100% acrylic

ARTICLE WEIGHT :

70gr/pc



DESCRIPTION	
Français : Bonnet bicolore avec revers	
English : Bi-colour beanie hat with turn-up	
Nederlands : Tweekleurige muts met omslag	
Deutsch : Zweifarbige strickmütze mit überschlag	
Español : Gorro bicolor con dobladillo	
Italiano : Berretto sport	
Português : Gorro bicolor com dobra	

COLORS	PANTONE SERIGRAPHIE
Black / Red	Black / 200C
Black / White	Black / White
Royal blue / Yellow	287C / 1225C
Royal blue / White	287C / White
White / Navy	White / 433C
Yellow / Black	1225C / Black
Black / Orange	Black / 1585C
Red / Yellow	200C / 1225C
Dark grey / Light grey	432C / 401C

MEASUREMENT	
Description	U
H98 Front hat height	20
W43 1/2 largeur bas bonnet / 1/2 hat bottom width	19,50
H103 Height of the turn up of the hat	7

CARE LABEL				

PACKING	
Box	100 pcs / box U => L:44cm W:42cm H:35cm GW:7.6kg NW:6.6kg