



**REFERENCE :** KI3108

**SIZES :** U

**COMPOSITION :**

Main material : Stainless Steel quality Double wall stainless steel (Inside 304 (18/8) & Outside 201 (18/0)).

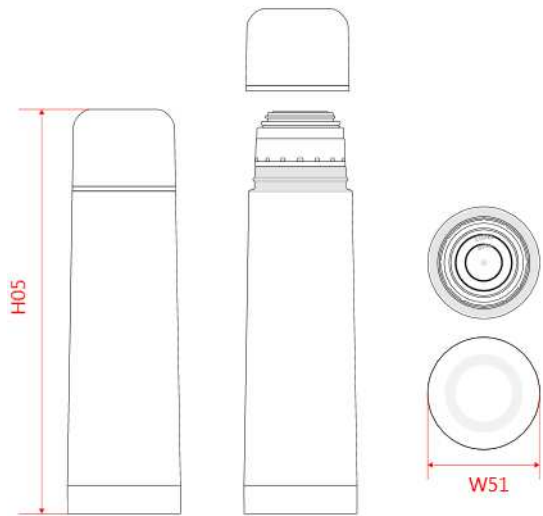
Flat painting outside, electrolysis treatment inside. Matt polish.

Material 8 : PP plastic quality On inside top lid + inner part of top cup. 100%polypropylene

Material 8 : PP plastic quality On inside top drink stopper. 100% polypropylene

**ARTICLE WEIGHT :**

345 gr/pc



DESCRIPTION								COLORS	PANTONE SERIGRAPHIE
<b>Français :</b> Bouteille isotherme inox 500ml								Black	Black
<b>English :</b> Stainless steel vacuum flask 500ml								Fuchsia	219C
<b>Nederlands :</b> Thermosfles van roestvrij staal								Lime	367C
<b>Deutsch :</b> Edelstahl isolierflasche								Navy	296C
<b>Español :</b> Botella isotérmica 500ml								Orange	1495C
<b>Italiano :</b> Termos in acciaio inox								Red	1795C
<b>Português :</b> Garrafa térmica em aço inoxidável								Royal blue	287C
<b>MEASUREMENT</b>								Silver	877C
Description	U							Sky blue	278C
H05 Hauteur totale / Total height	24,70							White	White
W51 Total width	6,90								
PACKING									
Box	40 pcs / box U => L:50cm W:46,2 H:27,5cm GW:16,7Kg NW:13,7Kg								