



REFERENCE : KI3111

SIZES : U

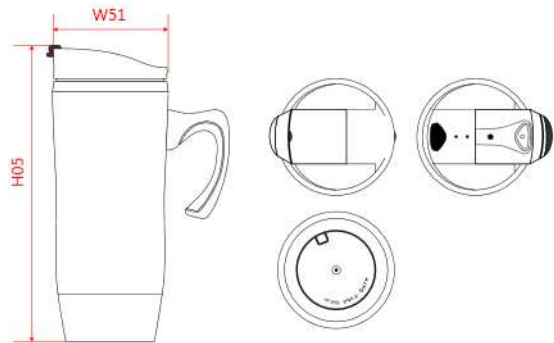
COMPOSITION :

Main material : AS plastic material For bottle 100%acrylonitrile
stirene plastic

Material 2 : PP plastic quality For top cap + handle + bottom
part of the bottle 100%polypropylene

ARTICLE WEIGHT :

555 gr/pc



DESCRIPTION	
Français : Mug de voyage isotherme 550ml	
English : Double wall insulated mug 550ml	
Nederlands : Thermosbeker	
Deutsch : Isolierter doppelwandbecher	
Español : Taza de viaje isotérmica 550ml	
Italiano : Tazza in AS/PP con manico	
Português : Caneca térmica	

COLORS	PANTONE SERIGRAPHIE
Black	Black
Slate grey	424C
White	White

MEASUREMENT	
Description	U
H05 Hauteur totale / Total height	21
W51 Total width	8,20

PACKING	
Box	20 pcs / box U => L:51cm W:47cm H:23,5 GW:12,1Kg NW:11,1Kg